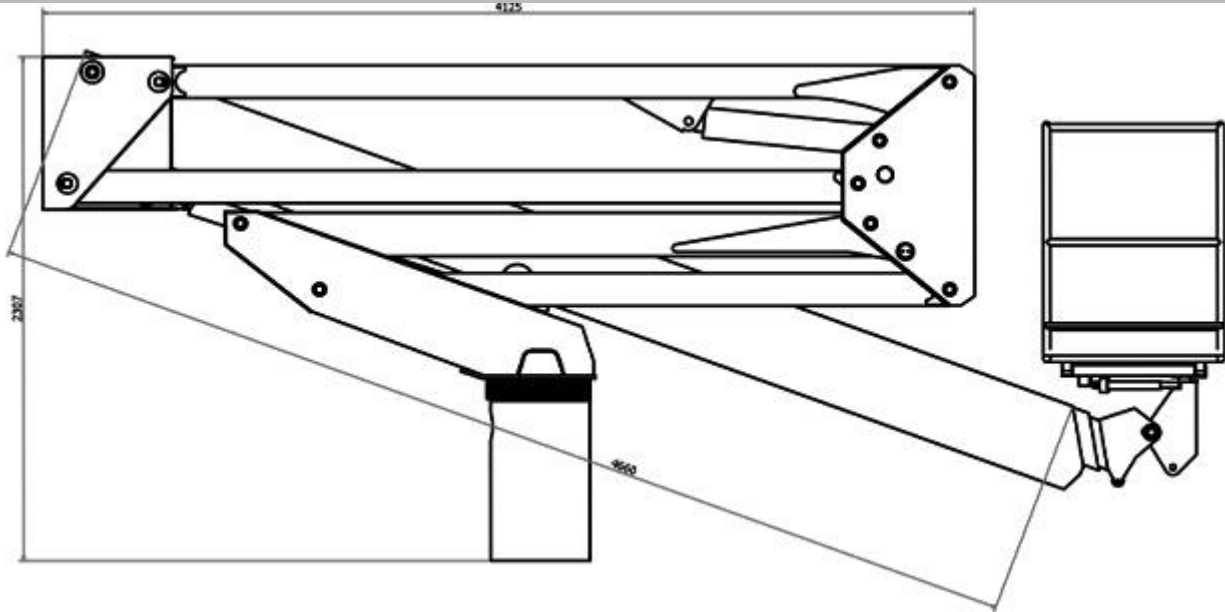


Articulated



TECHNICAL SPECIFICATIONS

A120 / A140 Articulated Aerial Platform TAP.

Maximum height of work :	12 - 14 meters.
Maximum radius work reach:	7 - 8 meters.
Maximum capacity :	250 Kg.
Rotation angle:	360° - continues.
Basket Isolated:	Fiberglass.
Fully Hydraulic Control.	
Safety Features:	Platform operation remains shut down unless stabilizers system has been affected. Emergency hand pump in case of system failed. Working operation from basket and ground control.
Optional accessories:	Rotating flashing light, Spotlight, Gear shift lock, Power pack AC/DC basket electric source. Automatic hydraulic basket leveling control.